

Specifications

Material

Insulator: LCP, UL 94V-0, Black
 Contact: Copper Alloy
 Shell: Stainless Steel
 Mid Plate: Stainless Steel

Plating

Contact

Contact Area: Gold Flash
 Solder Tails: Gold Flash
 Underplating: 50µ" min. Nickel
 Shell: 80µ" min. Nickel
 Mid Plate: Clear

Electrical

Current Rating: 5.00A collectively for Vbus pins
 6.25A collectively for GND pins
 1.25A for A5/B5 pin
 0.25A per pin for all other pins

Voltage Rating: 48V DC
 Power Rating: 240W

Contact Resistance: 40mΩ max initial.
 50mΩ max after test

Dielectric Withstanding Voltage: 100V AC
 Insulation Resistance 100MΩ min

Mechanical & Environmental

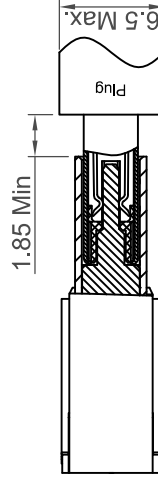
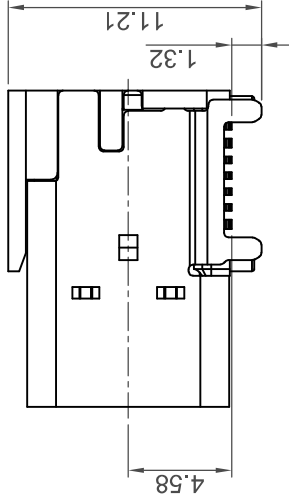
Operating Temperature: -55°C to +85°C
 Mating Force: 5 to 20 N.
 Unmated Force: 6 to 20 N after test
 Durability: 20,000 cycles

Ordering Grid

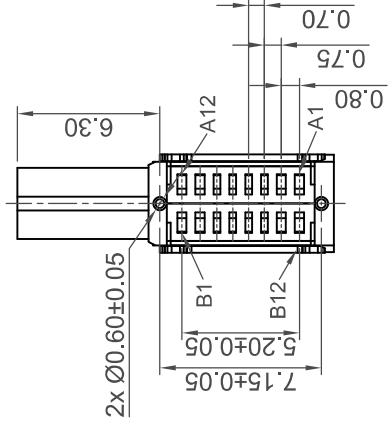
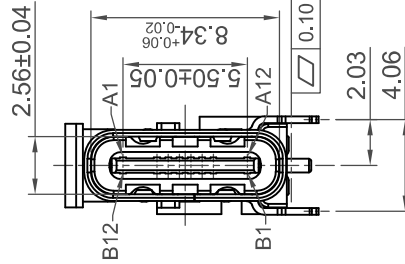
USB4210 = **GF** = **A** Request Samples and Quotation

Contact Plating Packing Options

GF = Gold Flash A = Tape & Reel
 (500pcs/Reel)

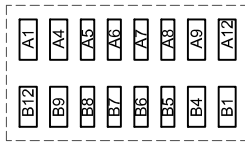
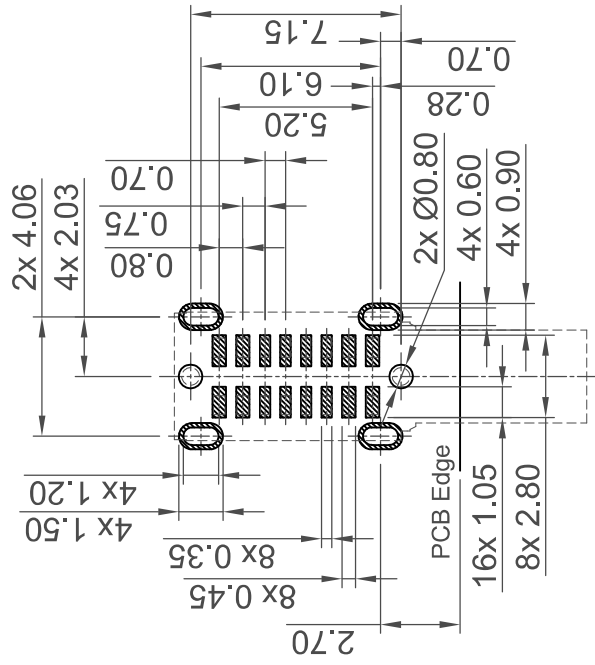


Plug and Receptacle Mating View



Part Number		USB4210	
Drawing Date		6th March 2024	
By	CC	Tolerances (Except as noted)	
Detail	Release	Length	XX ± 0.30
Revision	A	Angle	X.XX ± 0.15
Date	06/03/24	Metric (mm)	X.XXX ± 0.10
		X.XXX ± 0.10	

Product Description		Type C Receptacle For USB2.0, Dual Row SMT, Flag Type, PCB Top Mount, 16 Pin	
Units:		This drawing is confidential and copyright of Global Connector Technology, Ltd (GCT). It is to be used or disclosed without written consent. E & OE	
RoHS COMPLIANT		REACH COMPLIANT	
GCT		www.gct.co	
Not to Scale		Drawn By: CC	
Sheet No. 1/3		8	



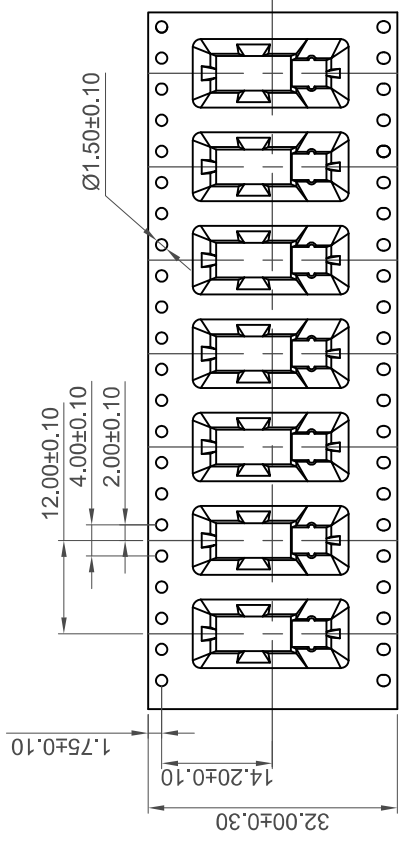
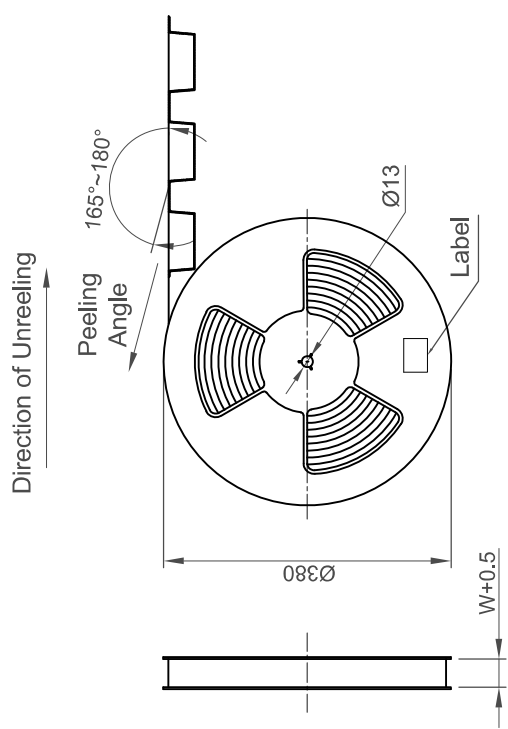
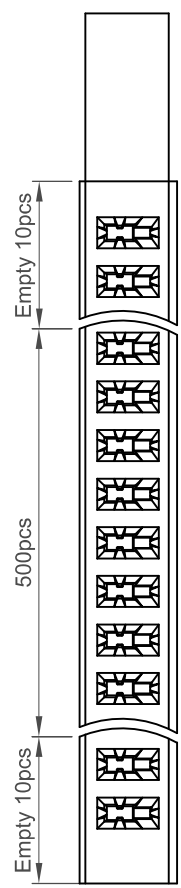
Pin Assignment

Recommended PCB Layout
 Thickness: 1.20mm
 Tolerance: ±0.05mm

Solder Area
 Component Outline

Pin	Signal	Mating Sequence	Pin	Signal	Mating Sequence
A1	GND	First	B12	GND	First
A4	V _{bus}	First	B9	V _{bus}	First
A5	CC1	Second	B8	SBU2	Second
A6	Dp1	Second	B7	Dn2	Second
A7	Dn1	Second	B6	Dp2	Second
A8	SBU1	Second	B5	CC2	Second
A9	V _{bus}	First	B4	V _{bus}	First
A12	GND	First	B1	GND	First
SHELL		GND	SHELL		GND

Part Number USB4210		Product Description Type C Receptacle For USB2.0, Dual Row SMT, Flag Type, PCB Top Mount, 16 Pin	
Drawing Date 6th March 2024		This drawing is confidential and copyright of Global Connector Technology, Ltd (GCT). It is to be used as supplied or disclosed without written consent. E & OE	
By CC	Tolerances (Except as noted) Length XX ± 0.30 Metric (mm) X.XX ± 0.15 X.XXX ± 0.10	 	
Detail Release A	Units: Metric (mm)	 www.gct.co	
Revision Date 06/03/24	Not to Scale	Drawn By CC	Sheet No. 2/3

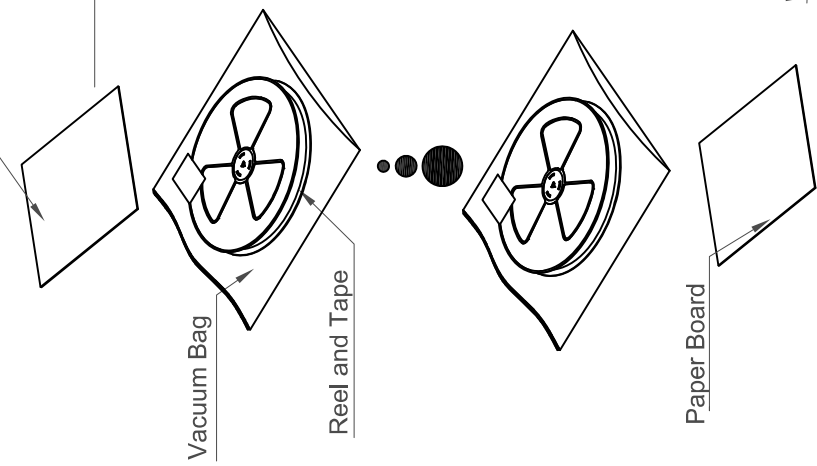


Direction of Unreeling

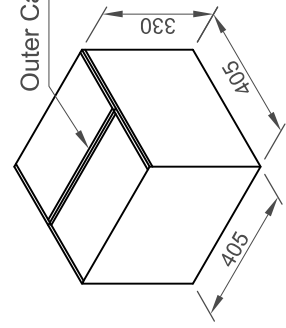
Pcs / Reel	Reels / Carton	Total Quantity
500	8	4000 pcs

Paper Board

Folder Paper Board



Outer Carton



Product Description

Type C Receptacle For USB2.0, Dual Row SMT, Flag Type, PCB Top Mount, 16 Pin

This drawing is confidential and copyright of Global Connector Technology, Ltd (GCT). It is not to be copied or disclosed without written consent. E & OE



Units: Metric (mm)

Tolerances (Except as noted):
 Length: XX ± 0.30
 X.XX ± 0.15
 X.XXX ± 0.10

Part Number	USB4210
Drawing Date	6th March 2024
By	CC
Detail	
Release	A
Revision	
Date	06/03/24

Not to Scale

Drawn By

CC

Scale

Sheet No.

313

8

7

6

5

4

3

2

1

H

G

F

E

D

C

B

A

www.gct.co

GCT